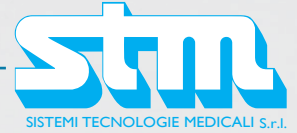


NIST TERMINAL UNITS FOR MEDICAL GASES AND VACUUM

The NIST terminal units are conceived and realized according to the 93/42/EC and related norms ISO 7396-I and ISO EN 5359.

The terminal unit can be lodged in flush mounting box, in surface mounting box or in electro-medical systems such as bed-head units and ceiling pendants.



NIST TERMINAL UNITS FOR MEDICAL GASES AND VACUUM

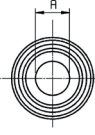
Constituted by:

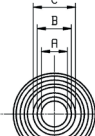
- Nickel plated terminal unit gas specific head realized according with the norm EN 5359 suitable to be mounted on a base-block according with norm UNI 9507
- Brass base-block with thread according with norm UNI 9507

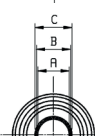
The base-block for medical gas terminal unit is supplied complete with shutter, maintenance valve, screw nut and welding joints to be brass welded

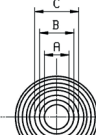
CODE	DESCRIPTION
23102007/T	Terminal unit head NIST air 800
23102012/T	Terminal unit head NIST medical air
23102013/T	Terminal unit head NIST vacuum
23102014/T	Terminal unit head NIST oxygen
23102015/T	Terminal unit head NIST nitrous oxide
23102016/T	Terminal unit head NIST carbon dioxide
23102017/T	Terminal unit head NIST nitrogen 800
23100013	UNI 9507 base block with welding pipe connection for oxygen
23100014	UNI 9507 base block with welding pipe connection for nitrous oxide
23100010	UNI 9507 base block with welding pipe connection for medical air
23100012	UNI 9507 base block with welding pipe connection for vacuum
23100016	UNI 9507 base block with welding pipe connection for carbon dioxide
23100017	UNI 9507 base block with welding pipe connection for nitrogen
23100011	UNI 9507 base block with welding pipe connection for air for surgical tools

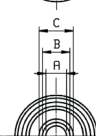
NIST TERMINAL UNITS

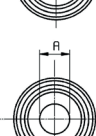
	GAS	VACUUM
	A	Ø 12,5

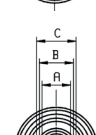
	GAS	NITROUS OXIDE
	A	Ø 9,5
	B	Ø 12,5
	C	Ø 15,5

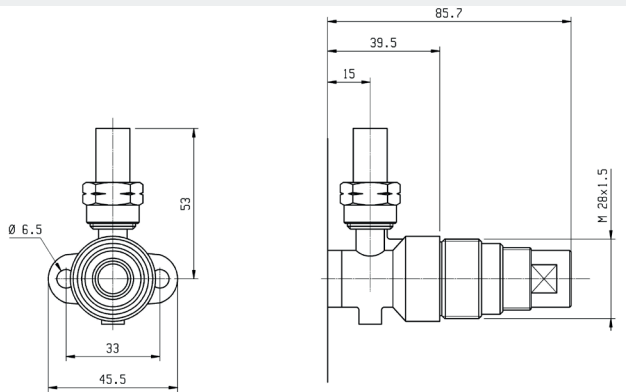
	GAS	OXYGEN
	A	Ø 11,5
	B	Ø 12,5
	C	Ø 13,5

	GAS	MEDICAL AIR
	A	Ø 9
	B	Ø 12,5
	C	Ø 16

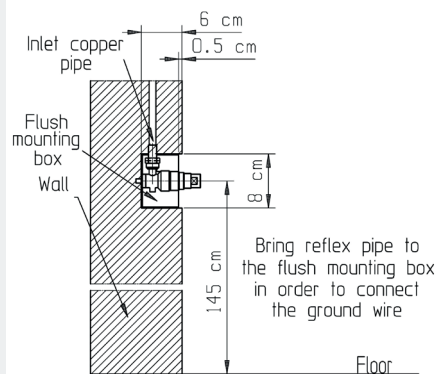
	GAS	CARBON DIOXIDE
	A	Ø 13
	B	Ø 17
	C	Ø 27

	GAS	NITROGEN
	A	Ø 11

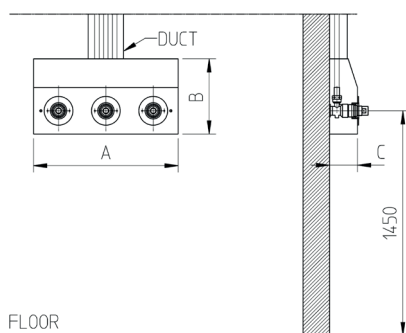
	GAS	INSTRUMENTAL AIR
	A	Ø 10,5
	B	Ø 12,5
	C	Ø 14,5



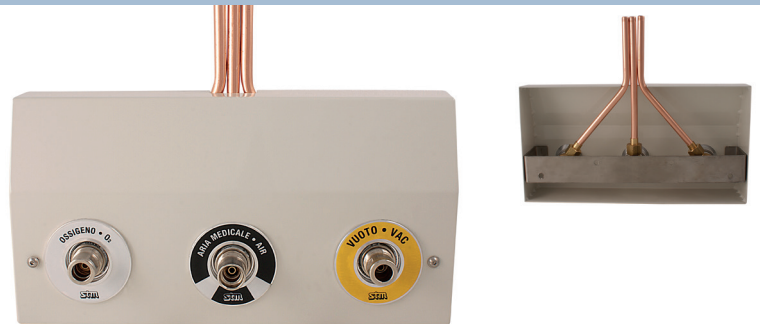
WORKING PRESSURE	WEIGHT
SINCE 10 ± 1 bar	Kg. 0,290



FLUSH MOUNT



SURFACE MOUNT



	1 SEAT	2 SEATS	3 SEATS	4 SEATS	5 SEATS	6 SEATS
A	115	220	327	434	541	648
B	170	170	170	170	170	170
C	63	63	63	63	63	63