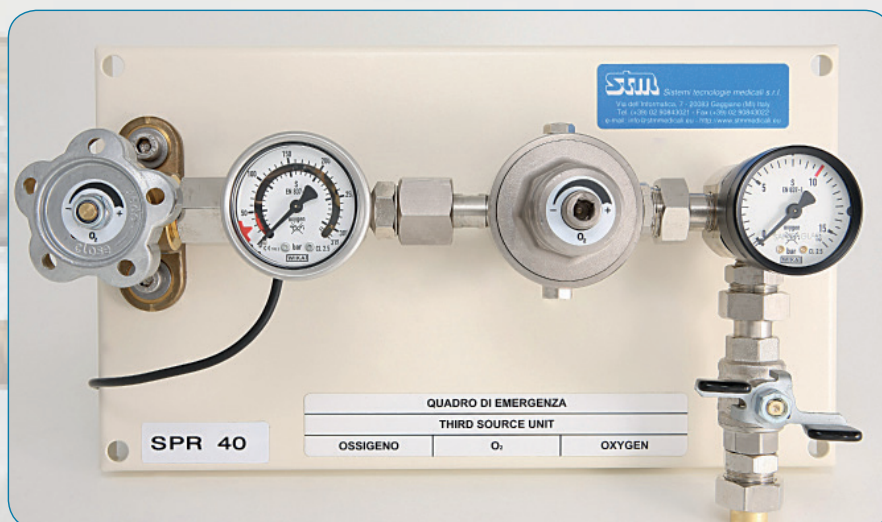


EMERGENCY FIRST STAGE PANEL BOARD (THIRD SOURCE) 40 cu.mt/hr load

THE EMERGENCY FIRST STAGE PANEL BOARD (THIRD SOURCE), single version, is conceived and manufactured according with MDD 93/42 EEC and related norms ISO 7396-1 and UNI EN ISO 10524-2

The single first stage panel boards are normally used as emergency third source for the central manifold, cylinders type.



CODE	DESCRIPTION	MAX INLET PRESSURE	OUTLET PRESSURE	LOAD, NORMAL cu.mt/hr
QR1 - 0408	Emergency first stage panel board, Oxygen	230 bar	8 bar	40
QR1 - 0409	Emergency first stage panel board, Air	230 bar	8 bar	40
QR1 - 0410	Emergency first stage panel board, Nitrous Oxide	100 bar	8 bar	40
QR1 - 0411	Emergency first stage panel board, Carbon Dioxide	100 bar	8 bar	40
QR1 - 0412	Emergency first stage panel board, Nitrogen	230 bar	8 bar	40
20601096	METAL COVER LAQUERED FOR RESERVE PANEL BOARD 40 CU.MT./HR			

The structure is realized in varnished stainless steel.

. High pressure sectioning valve, double rod type for facilitating the movement during opening and closing operations.

. Manometer with contact alarm, 20/30 bar, according with supplying medical gas, signaling "empty manifold".

. High load pressure regulator with hot pressed brass body.

. Manometer scale 0-16 bar showing regulator outlet pressure.

All manometers have a safety glass.

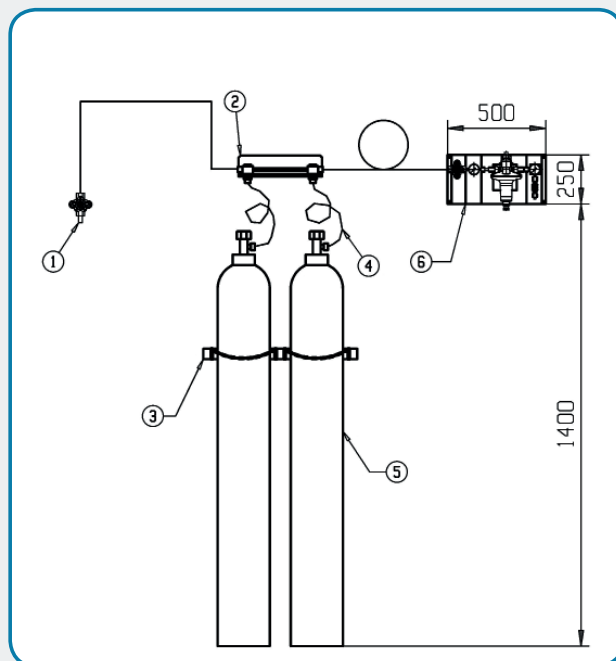
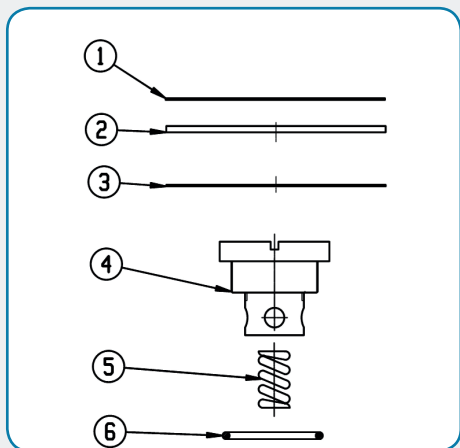
The regulator has a built-in PTFE membrane.

Safety valve directly mounted on the regulator.

Low pressure valve, realized in brass with a stainless steel ball, mounted down-stream the regulator.

EMERGENCY FIRST STAGE PANEL BOARD (THIRD SOURCE) 40 cu.mt/hr load

- 1) MANIFOLD RELIEF VALVE
- 2) EMERGENCY MANIFOLD
- 3) RACK
- 4) PIGTAIL
- 5) GAS CYLINDER
- 6) EMERGENCY MANUAL FIRST STAGE PANEL BOARD



NA	O2-AIR-N2 REGULATOR KIT, CODE 20810023	CO2-N2O REGULATOR KIT, COD. 20810022
6	OR 2087 VITON	OR 2087 NBR
5	SHUTTER SPRING	SHUTTER SPRING
4	SHUTTER	SHUTTER
2	MEMBRANE PUSH-PLATE	MEMBRANE PUSH-PLATE
3	TEFLON MEMBRANE	TEFLON MEMBRANE
1	CANVAS RUBBER MEMBRANE	CANVAS RUBBER MEMBRANE

EMERGENCY FIRST STAGE PANEL BOARD SPARES

COD 20601057	HIGH PRESSURE CONTACT MANOMETER FOR 315 BAR SIGNALS
COD 20601064	HIGH PRESSURE CONTACT MANOMETER FOR 100 BAR SIGNALS
COD 20404016	LOW PRESSURE MANOMETER, 16 BAR

