

LOCK VALVES

Temperature Limits
for fluids from - 15°C to +120°C

Pressure limits:
for fluids from 63 bar to 40 bar

SPECIFIC FEATURES:

Check the GALAXY series datasheet.

The valve is designed to prevent the movement of the lever by using a padlock.

The lever can be locked either in the open position ON or in the closed position OFF (K015), or only in the closed position OFF (K006).

Padlock not provided.

Application fields

The Galaxy series is mainly employed in the installations of medical gases distribution, industrial and civil heating, hydraulics and pneumatics.

Threaded and connections:

Standard female according to UNI ISO 7/1 (UNI EN 10226)

Operation devices

Lockable lever.

Available colours plastic lever black or green

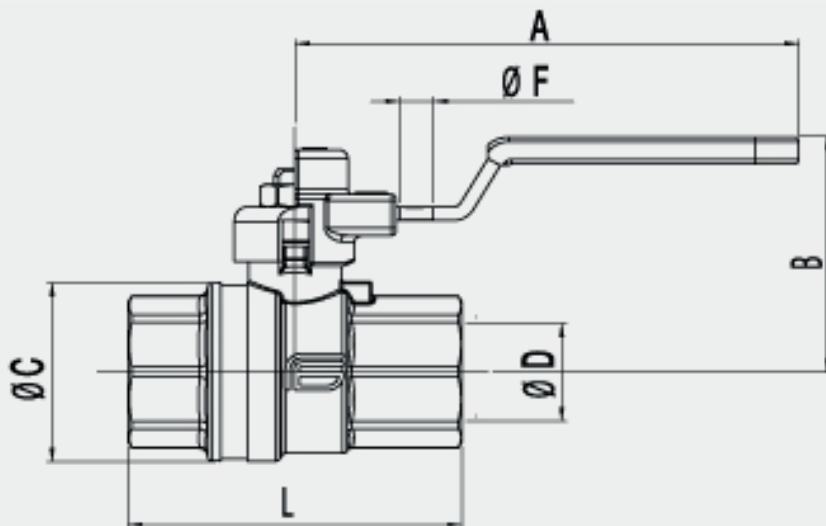


Recommended locks:

DIM	K006	K015
3/8"-1/2"	Ø6	Ø5
3/4"-1"	Ø6	Ø6
1" 1/4 - 1" 1/2	Ø6	Ø7
2"	-	Ø8
2" 1/2 - 3" - 4"	-	Ø9

All the valves comply with the regulation 97/23 and are tested 100% on pneumatic seal with electronic control

DIMENSIONS



VALVE DIMENSIONS PER TYPE AND SIZE

nominal diameter mm	10	15	20	25	32	40	50	65	80	100
Size in inches	3/8"	1/2"	3/4"	1"	1"1/4	1"1/2	2"	2"1/2	3"	4"
Ø D hore mm	10	15	20	25	32	40	50	65	80	100
A mm	85	85	105	105	130	130	165	260	260	260
B mm	34	42	52	54	67	73	86	100	111	126
Ø C mm	24	32	40	48	60	72	88	111	135	167
F/F - L mm	51	61	70	84	98	108	130	159	182	219
M/F - L mm	54	67	78	89	104	114	136	162	-	-
Ø F	6	6	7	7	8	8	9	10	10	10
Kv	8	15	28	39	84	156	243	476	770	1200

PRESSURE/TEMPERATURE DIAGRAM

